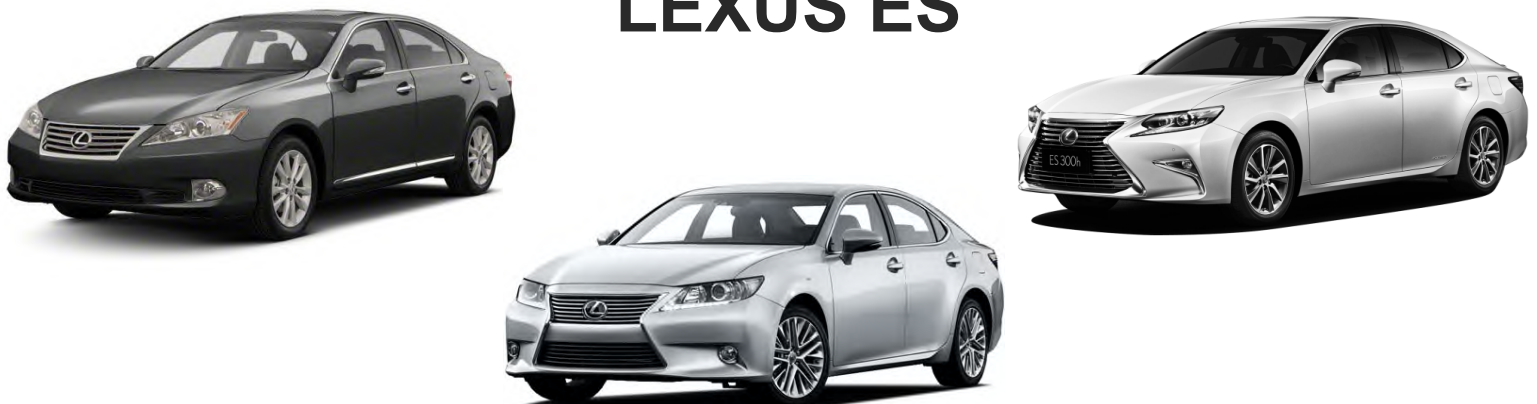


Installation instructions for PZAL-02123-00, PZAL-02127-00  
Under Run Protective Shield Engine Bay and Transmission Case

## TOYOTA Camry



## LEXUS ES



Model Year:	Camry - 2006	Camry - 2011	Camry - 2014	ES 200/250/350 - 2015 -
Vehicle Code:	ACV40L-REMKNW ACV40L-REANKW ACV40L-AEANKW GSV40L-RETGKW	ACV51L-REPNKX ASV50L-RETNKX ASV50L-AETNKX GSV50L-RETGKX	ASV50L-RETNKX	GSV40L-BETGKC ASV60L-BETGKW GSV60L-BETGKW AVV60L-BEXGBW
Part Number:				Steel: PZ4AL-02123-00 Aluminium: PZ4AL-02127-00

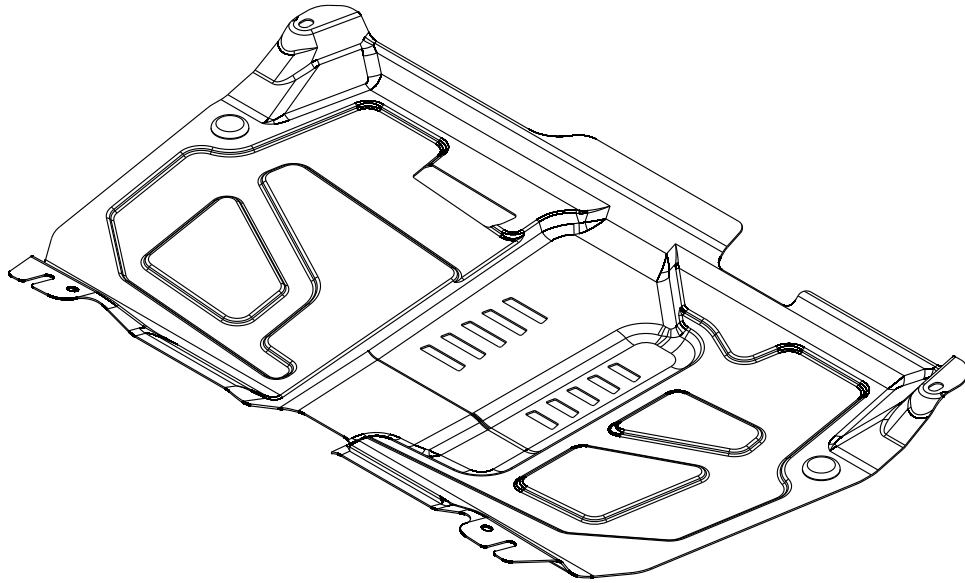
 Weight:

Steel: 7,6 kg  
Aluminium: 4,6 kg

 Installation Time:

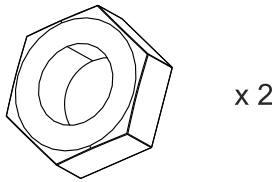
15 min

**A**

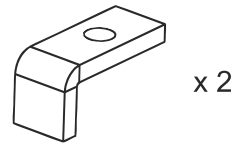


PZ4AL-02123-60

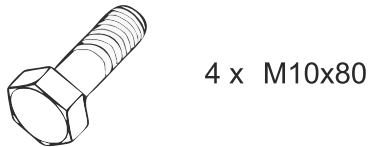
**B**



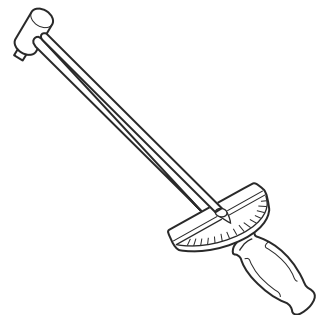
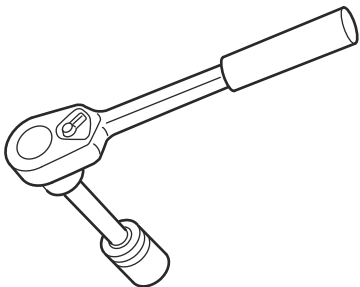
**C**



**D**



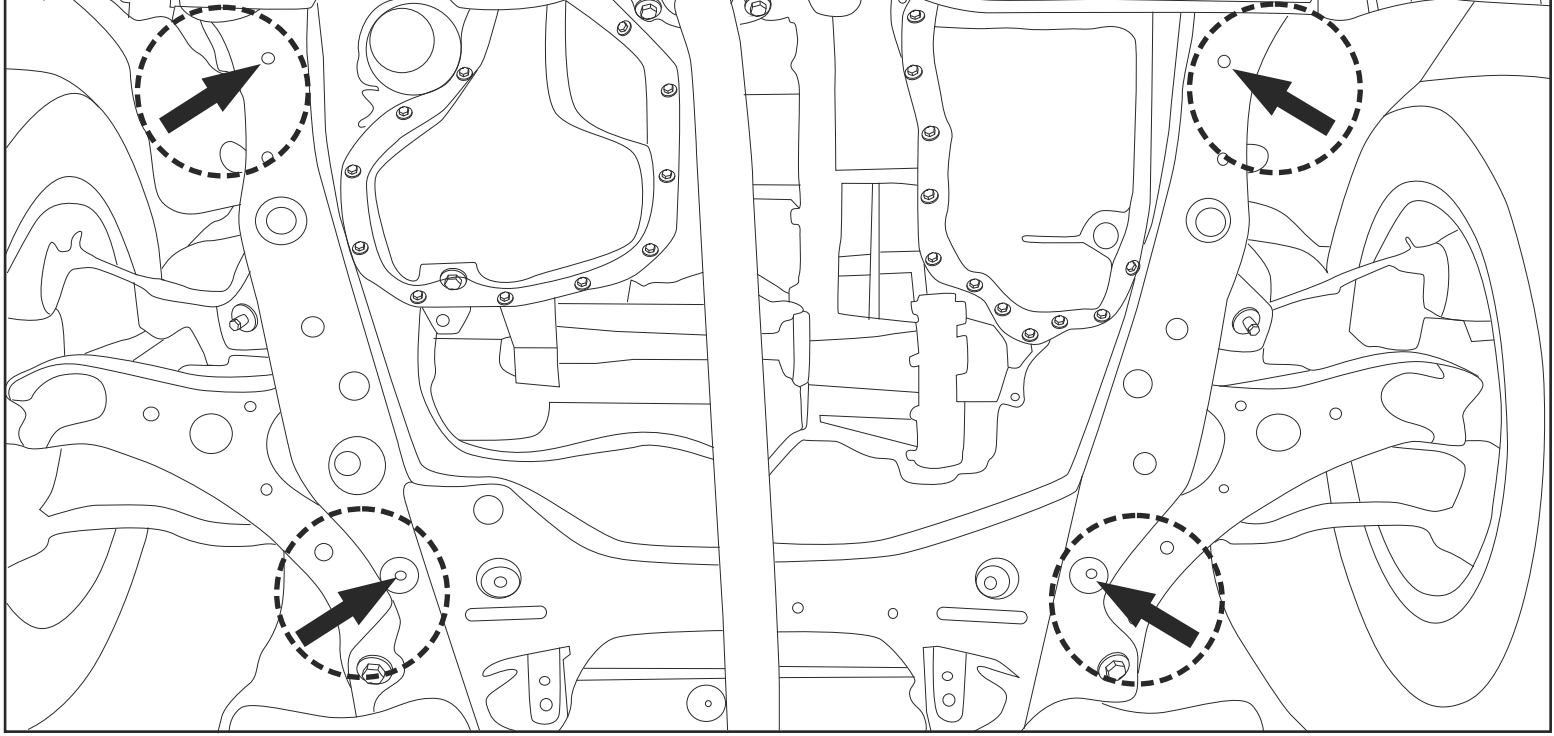
**E**



**1**

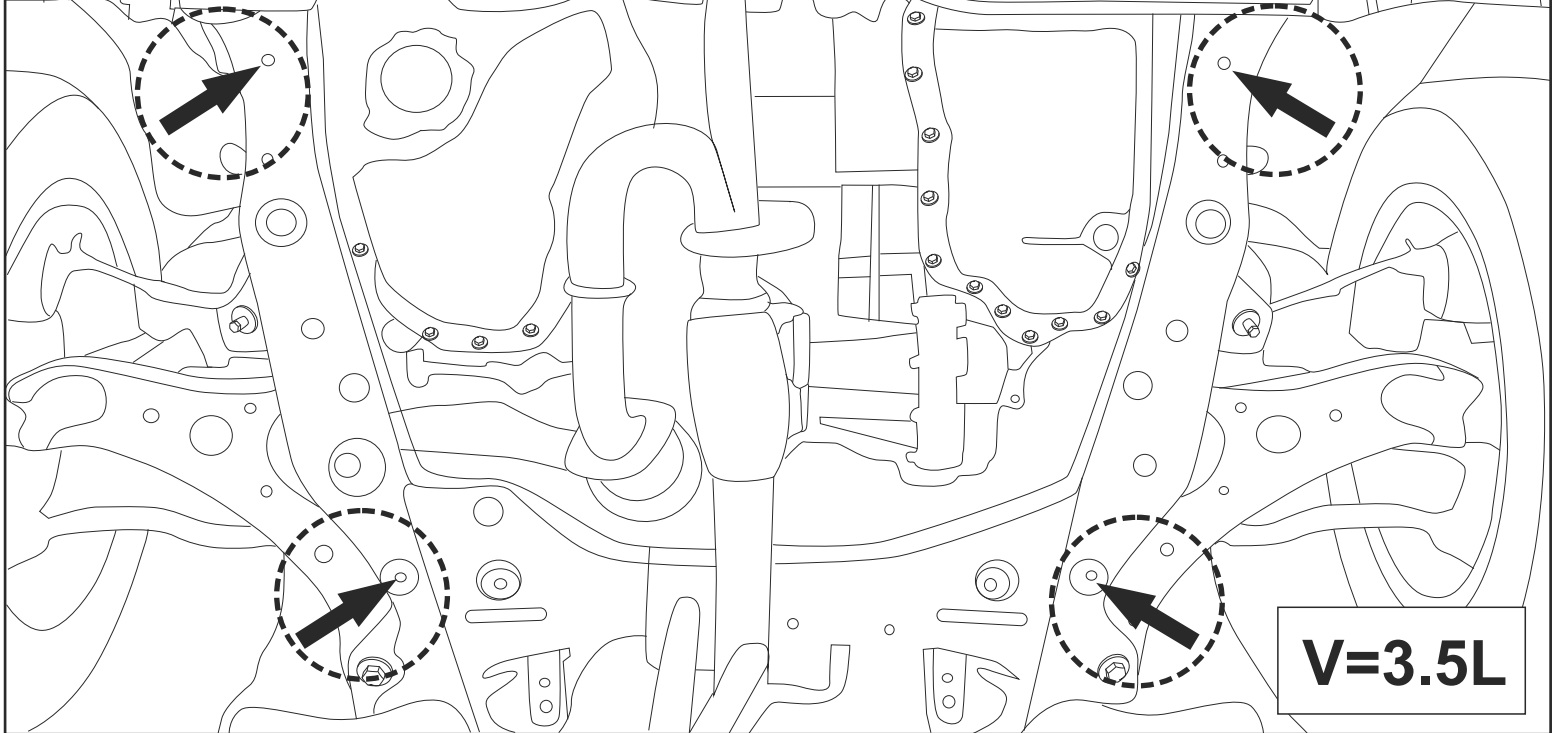
**V=2.5L; 2.0L**

**FWD**



**1a**

**FWD**



**V=3.5L**

Part number:

PZAL-02123-00; PZAL-02127-00

Issue:

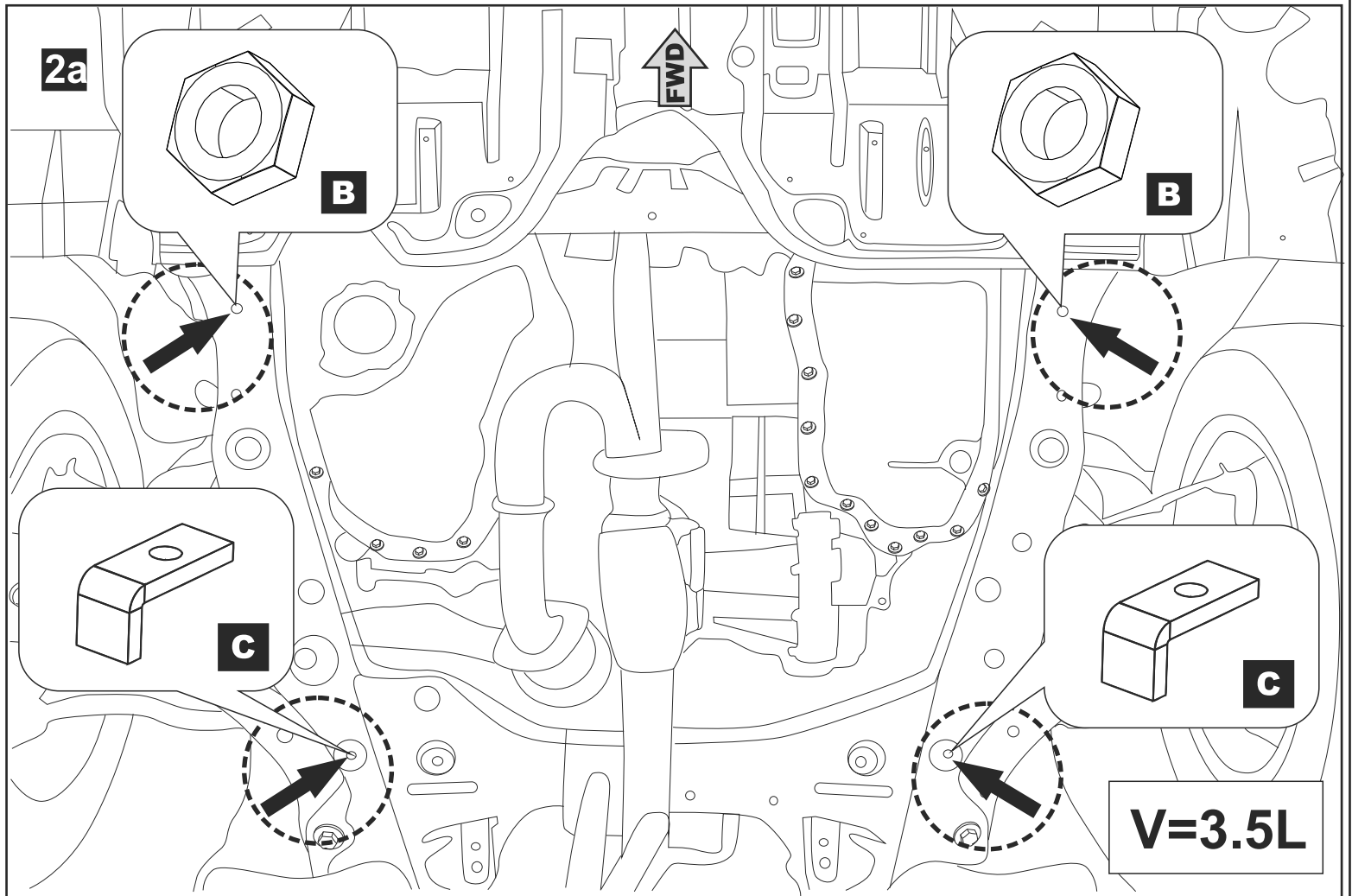
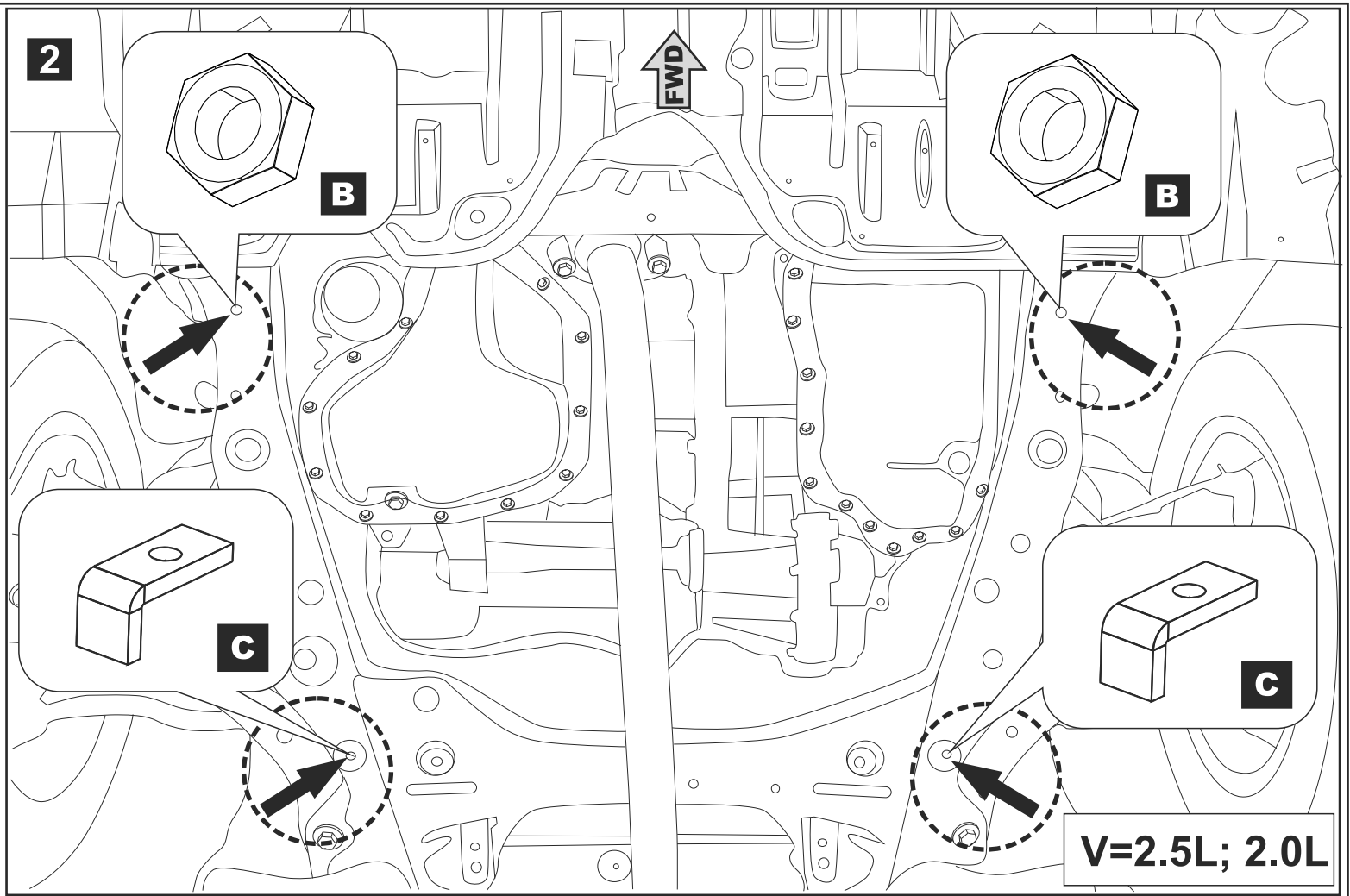
1

Date:

12/10/15

Page:

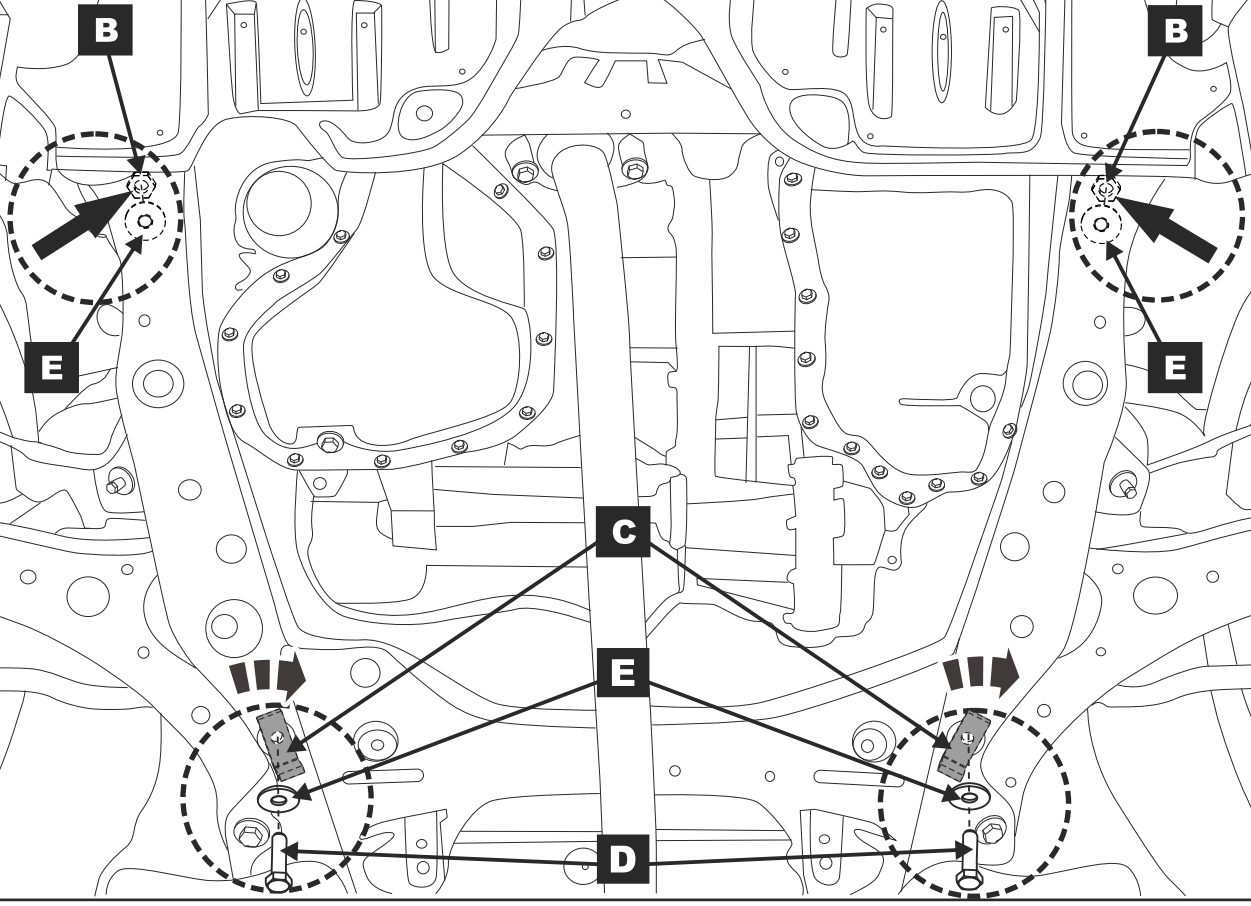
3/8



**3**

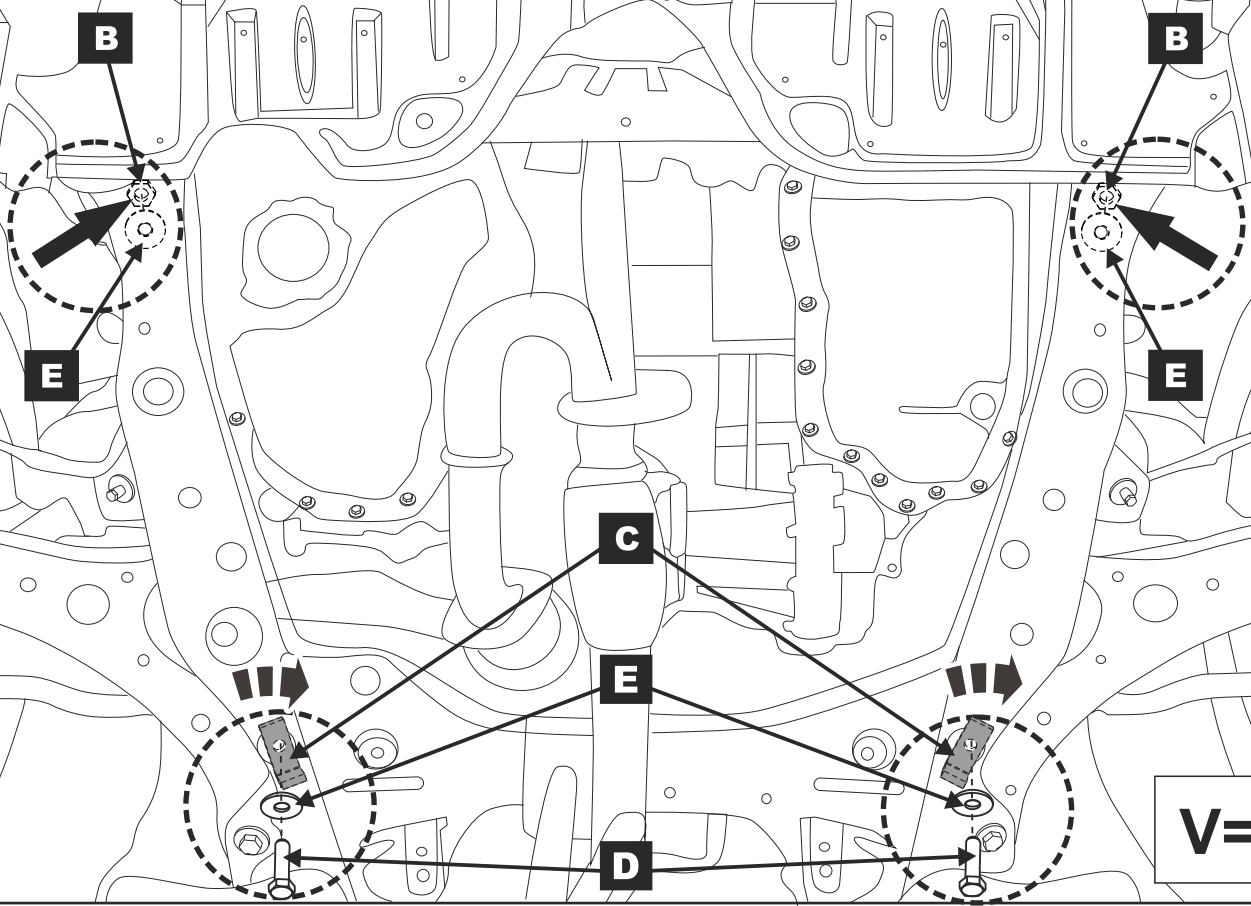
**V=2.5L; 2.0L**

**FWD**



**3a**

**FWD**



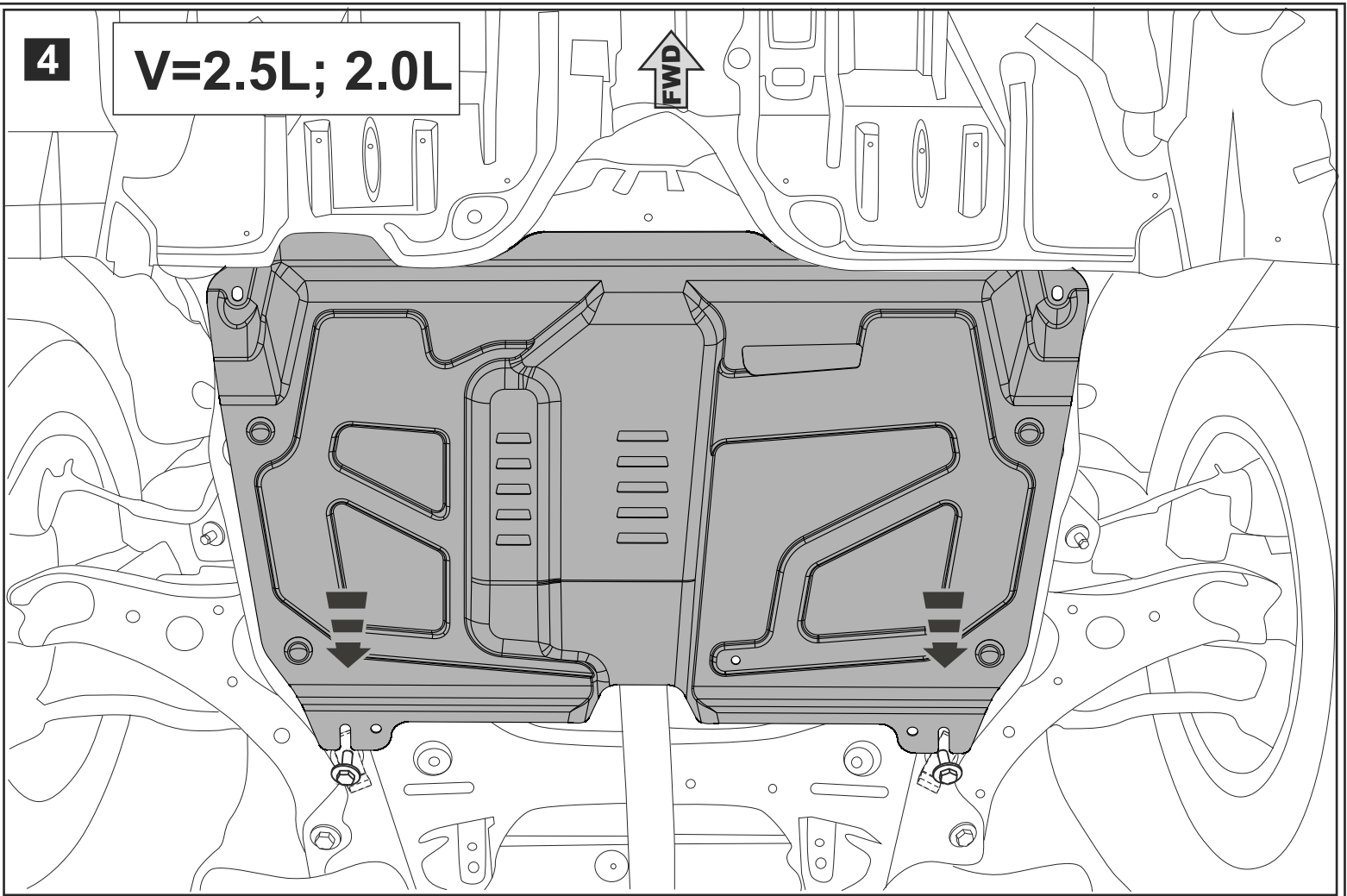
**V=3.5L**



**4**

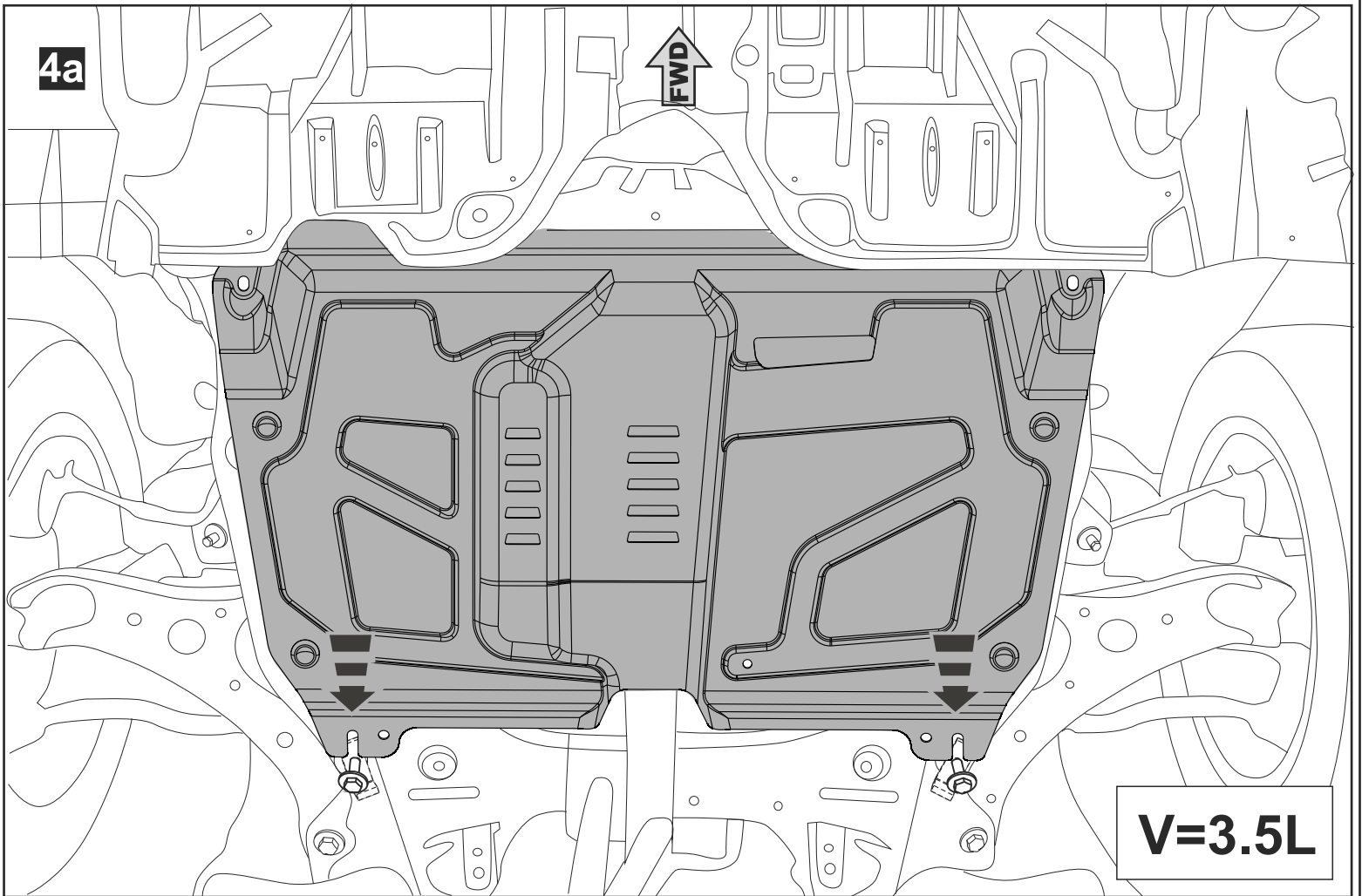
**V=2.5L; 2.0L**

**FWD**



**4a**

**FWD**



**V=3.5L**

**5**

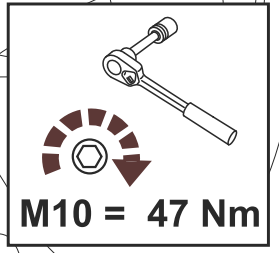
**V=2.5L; 2.0L**

**FWD**

**B**

**E**

**D**



**5a**

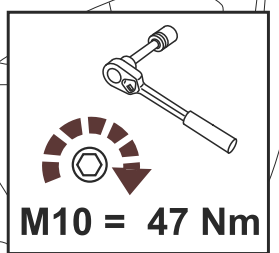
**V=3.5L**

**FWD**

**B**

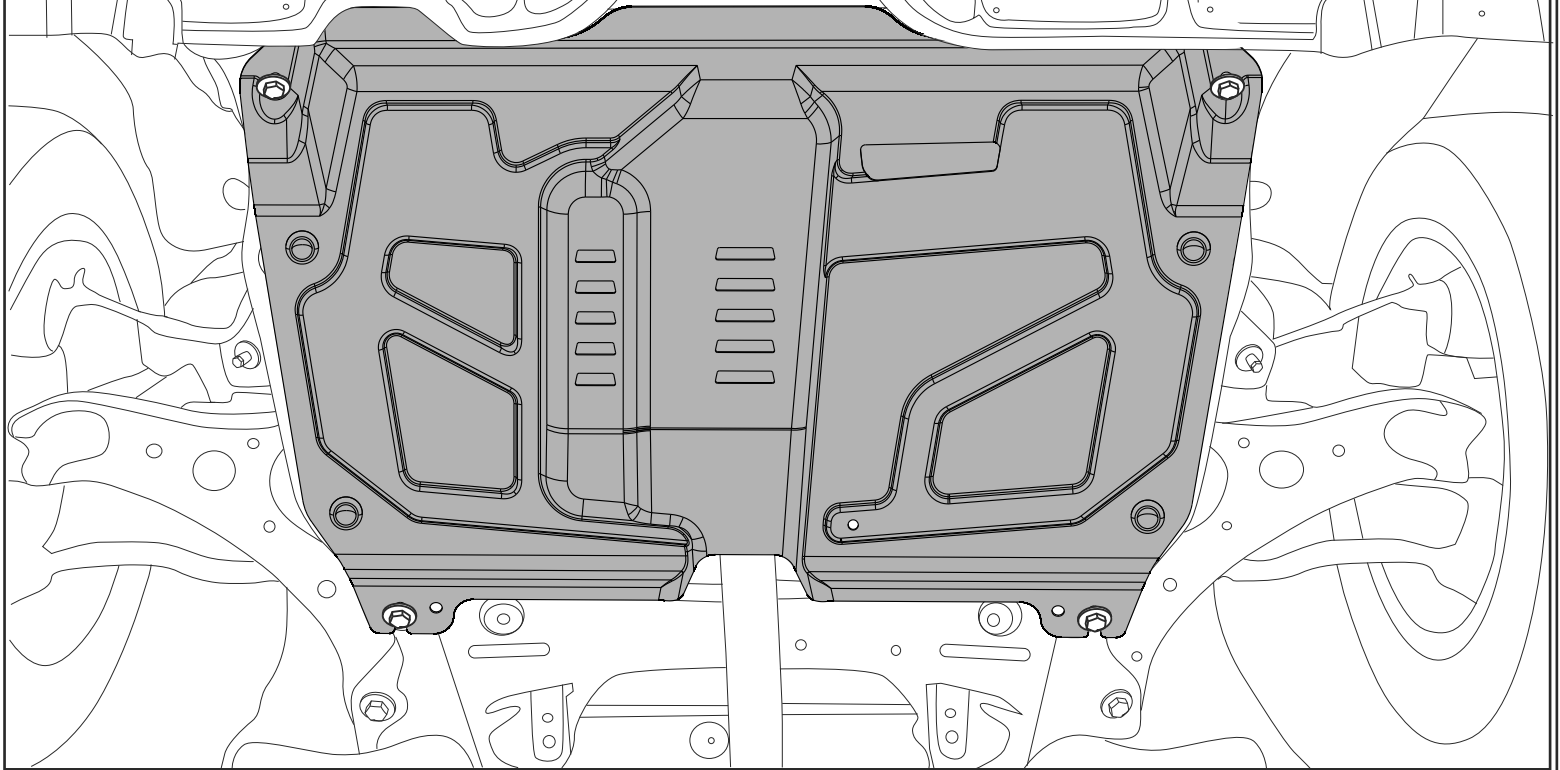
**E**

**D**



**6**

**V=2.5L; 2.0L**



**6a**

**V=3.5L**

